

PRODUCT INFO

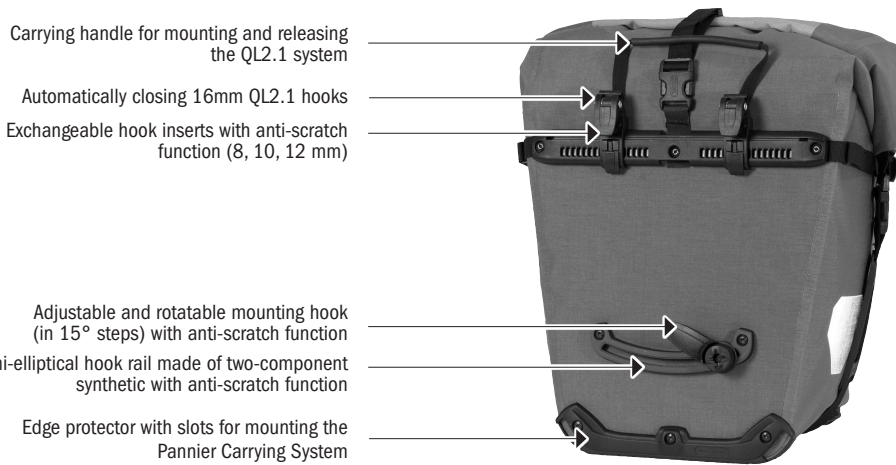
BACK-ROLLER XL PLUS

XL touring panniers (pair) with roll closure and QL2.1 system



- Additional closure with buckle (when the bag is carried with the shoulder strap)
- Roll closure
- Front pocket with reflective thread
- Buckles for fixing roll closure or shoulder strap
- Shoulder strap with padding for comfortable carrying or for fixing to the hook
- Lateral 3M Scotchlite reflector on both sides

- PVC free**
- IP 64**
- Anti scratch**
- QL2.1 system**
- PS36C**
- PFAS free**



- Carrying handle for mounting and releasing the QL2.1 system
- Automatically closing 16mm QL2.1 hooks
- Exchangeable hook inserts with anti-scratch function (8, 10, 12 mm)
- Adjustable and rotatable mounting hook (in 15° steps) with anti-scratch function
- Semi-elliptical hook rail made of two-component synthetic with anti-scratch function
- Edge protector with slots for mounting the Pannier Carrying System

height cm/in	width cm/in.	depth cm/in.	vol. L/cu.in.	weight g/oz.	max. capacity kg/lbs.
45/17.7	36/24 14.1/9.4	26/10.2	70+8 / 4759+488 (pair)	2008/70.8 (pair)	18/39.6 (pair)

SPECIFICATIONS:

- + XL rear panniers (pair) with roll closure for extended touring with lots of equipment
- + Outer front pocket (2 x 4 L) folds flat, with reflective thread, ideal for damp clothing
- + Material: PU-laminated Cordura
- + Integrated inner pocket and shoulder strap
- + Easy to clean inside
- + Two strong 3M Scotchlite reflectors
- + QL2.1 mounting system for racks with tube diameter max. 16 mm
- + 18 mm & 20 mm hook available as accessory (e.g. for e-bikes)
- + Reduction inserts for tube diameters 8, 10 und 12 mm with anti-scratch-function protecting the rack from abrasions
- + Upper QL-hooks and lower hook adjustable without requiring any tools
- + Lower hook with anti-scratch function protecting the rack from abrasions
- + Symmetrical shape allows use on right or left side
- + Can be combined on the rack with ORTLIEB Rack-Pack size 24 L or 31 L

Contents: Pannier pair with 2 shoulder straps, reducing inserts 8, 10 und 12 mm (2 pairs per size)

Optional accessories: Packing Cubes/Commuter Insert for Panniers for Panniers, Pannier Carrying System, Anti-Theft-Device (E125), Outer Pocket 2,1 L, Mesh-Pocket, Bottle-Cage, QL2.1 hook 18mm (E211) & 20mm (E193); QL2 Lock / QL2 Lock keyed alike (F3913/F3915)

Attention: Maximum load per pannier is 9kg / 20 lbs. We recommend weighing each loaded pannier to confirm that the maximum allowance of the pannier fixation is not exceeded. This practice is advised for both rear and front panniers. CAUTION: The maximum weight capacity of every carrier model is different. Please observe the maximum weight allowance of the carrier fitted to your bicycle. Note: Sometimes the maximum capacity of the panniers fixing system can exceed the maximum capacity of the carrier. DO NOT exceed the maximum capacity of the carrier! Note, that the use of panniers will significantly influence the handling properties of your bicycle.

Attention: As abrasion cannot be ruled out, we recommend that all points where the mounting system contacts the bicycle rack or frame be protected by scratch protection film.

Note: In order to meet standard IP64 (6=dustproof, 4=protected against splash water coming from all directions) the roll closure must be rolled at least 3-4 times.

