

PRODUCT INFO

BIKE-SHOPPER

Market and shopping bag with QL2.1 system



Slider for opening and closing
QSC-Quick-Seal-Closure
Adjustable carrying straps

PFAS free

IP 54

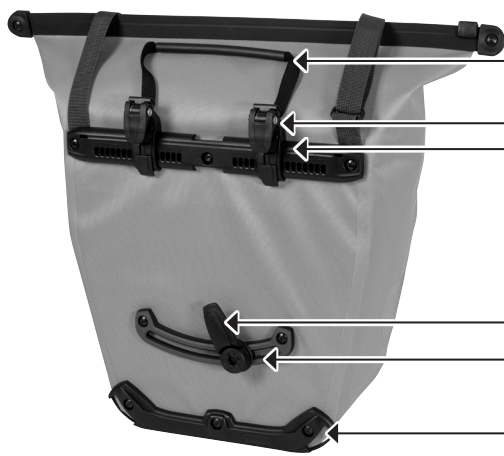
Anti scratch

QL2.1 system

PVC free

PS33

3M Scotchlite reflectors on both sides



Release handle for mounting and releasing the QL2.1 system
Automatically locking QL2.1 hooks with 16 mm diameter
Exchangeable hook inserts in sizes 8, 10 and 12 mm

Slidable and rotatable hook (15° steps) with anti-scratch function
Hook rail made of two-component synthetic with anti-scratch function
Edge protector with slots for mounting the Pannier Carrying System



Inner pocket in A4 format

height cm/in.	width cm/in.	depth cm/in.	vol L/cu.in.	weight g/oz.	max. capacity kg/lbs.
42/16.5	23/32 9/12.6	17/6.7	20/1221	820/28.9	9/19.8

SPECIFICATIONS:

- + Spacious market and shopping bag (single bag) with QL2.1-system and waterproof Quick-Seal-Closure
- + Ideal for daily grocery shopping
- + Abrasion resistant nylon fabric
- + Slider for easy and fast closing of sealing closure
- + QL2.1 mounting system for racks with max. 16 mm tube diameter
- + Reduction inserts for tube diameters 8, 10 und 12 mm with anti-scratch function preventing abrasion on the rack
- + 18 mm and 20 mm hook available as separate accessory (e.g. for E-bikes)
- + Hooks adjustable without requiring tools
- + Lower hook rail made of two-component hard-soft synthetic with anti-scratch function protecting the rack
- + Adjustable carrying handles allow carrying in hands or over shoulder
- + Inner pocket in A4 format with zipper for keys, cell phone, change etc.
- + Shorten straps prior to biking to shortest length and put them together by using the padded handle
- + We recommend to occasionally lubricate the closure with lubricant (included)

Contents: Bike bag with mounting system, lubricant

Optional accessories: Pannier Carrying System, Anti-Theft-Device (E125), Outer Pocket 1,8 L, Mesh-Pocket, Bottle-Cage, QL2.1 hook 18 mm (E211), QL2.1 hook 20 mm (E193)

Attention: Maximum load per pannier is 9kg / 20 lbs. We recommend weighing each loaded pannier to confirm that the maximum allowance of the pannier fixation is not exceeded. This practice is advised for both rear and front panniers. CAUTION: The maximum weight capacity of every carrier model is different. Please observe the maximum weight allowance of the carrier fitted to your bicycle. Note: Sometimes the maximum capacity of the panniers fixing system can exceed the maximum capacity of the carrier. DO NOT exceed the maximum capacity of the carrier! Note, that the use of panniers will significantly influence the handling properties of your bicycle.

Note: In order to meet standard IP54 (5=protected against dust, 4=protected against splash water coming from all directions) the sealing lip must be properly closed.

Attention: function of sealing closure limited in temperatures below -5°C/23°F

ORTLIEB Sportartikel GmbH · Rainstrasse 6 · 91560 · Heilsbronn, Germany · T +49 9872 800-0 · F +49 9872 800-266 · E info@ortlieb.com · www.ortlieb.com



**BUILT TO ENDURE.
WATERPROOF.
MADE IN GERMANY.**