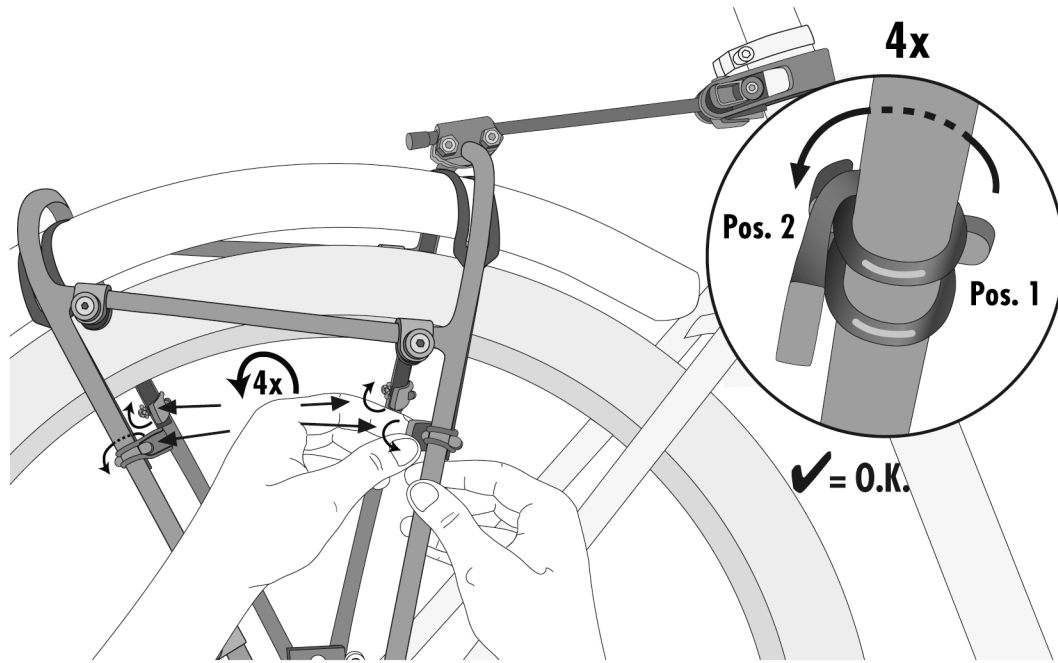


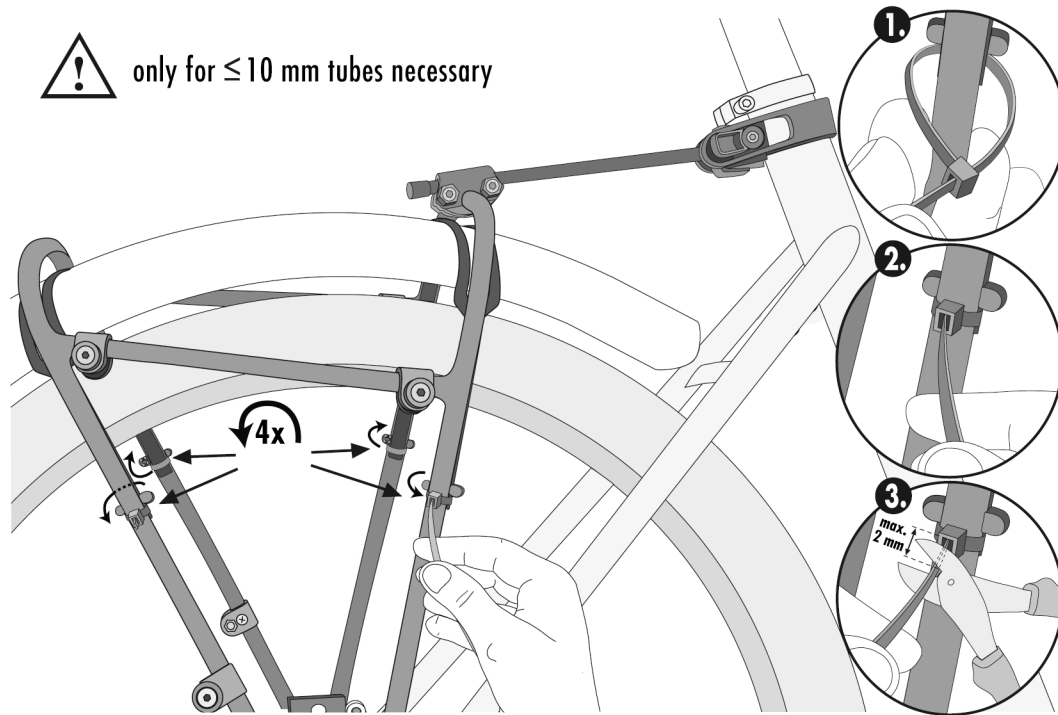
3.3 SECURE SILICON RINGS ON 2ND STUD



3.4 ALTERNATIVE MOUNTING: CABLE TIES



only for ≤ 10 mm tubes necessary



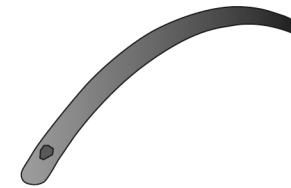
QUICK RACK MUDGUARD



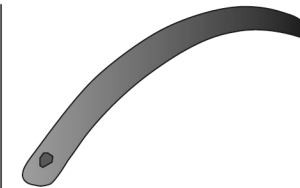
- DE MONTAGEANLEITUNG
- GB ASSEMBLY INSTRUCTIONS
- FR INSTRUCTIONS DE MONTAGE
- IT ISTRUZIONI DI MONTAGGIO
- NL MONTAGE HANDLEIDING
- DK MONTERINGSVEJLEDNING
- ES INSTRUCCIONES DE MONTAJE
- SE MONTERINGSANVISNING
- NO MONTERINGSANVISNING
- FI ASENNUSOHJEET
- PL INSTRUKCJA MONTAZU
- JP 装着方法



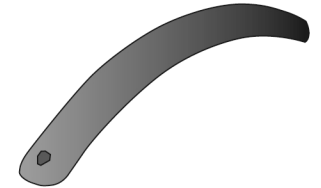
Only suitable for Ortlieb Quick Rack & Quick Rack Light
Check positioning before riding (min. every 100KM)



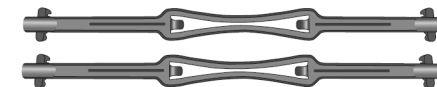
Road
Art. No. F78107
38 mm
max. 32/700c



Gravel/Trekking
Art. No. F78108
50 mm
max. 45/700c



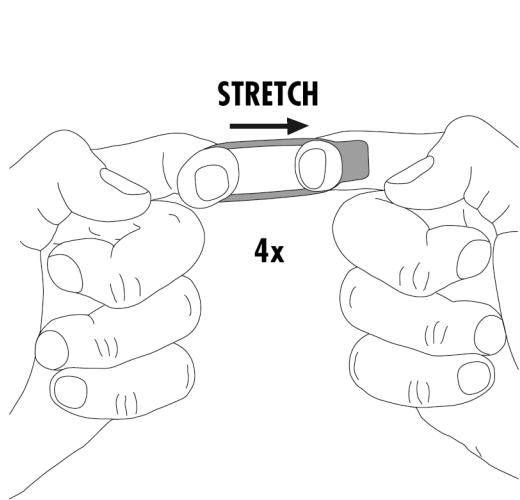
MTB
Art. No. F78109
72 mm
max. 2,3"/29"



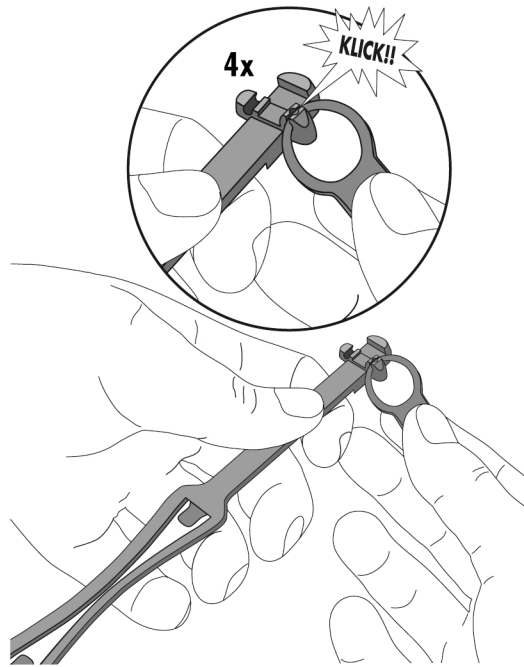
WEITERE INFORMATIONEN:
MORE INFORMATION:
<https://youtu.be/dlt1ScUPC-c>



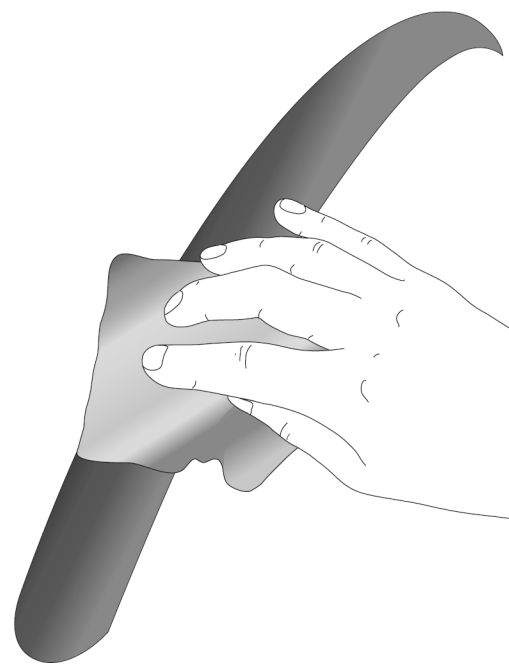
1.1 STRETCH SILICON RINGS (2cm)



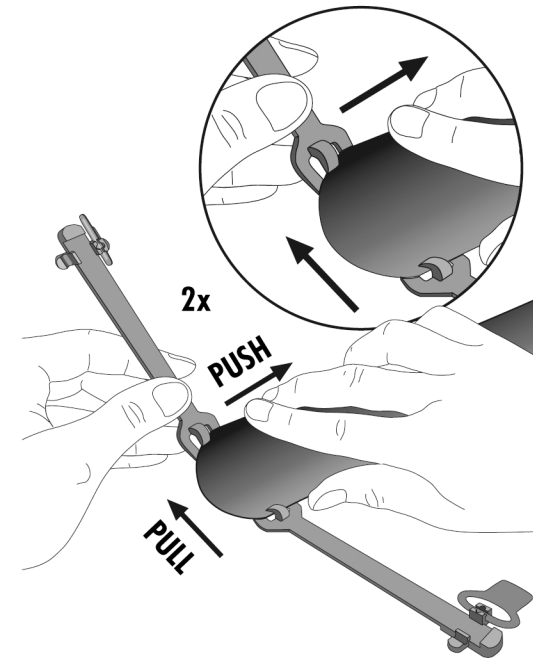
1.2 MOUNT SILICON RINGS



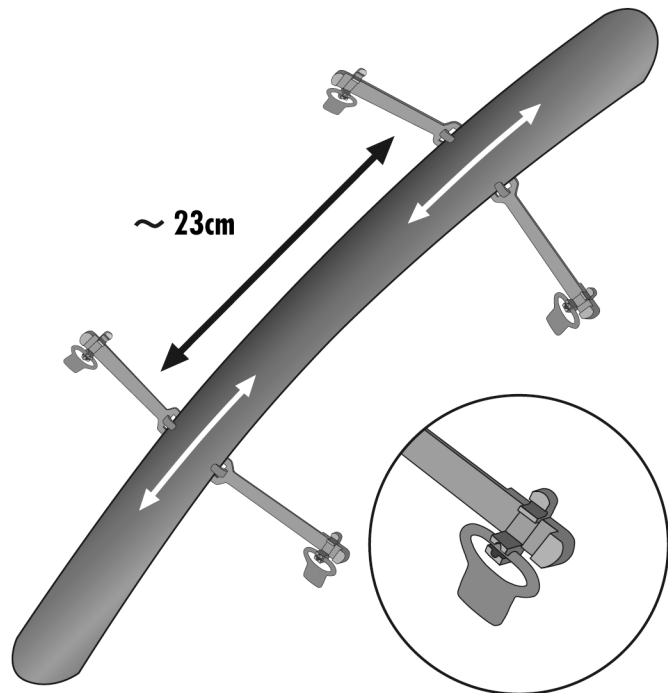
2.1 CHECK IF CLEAN



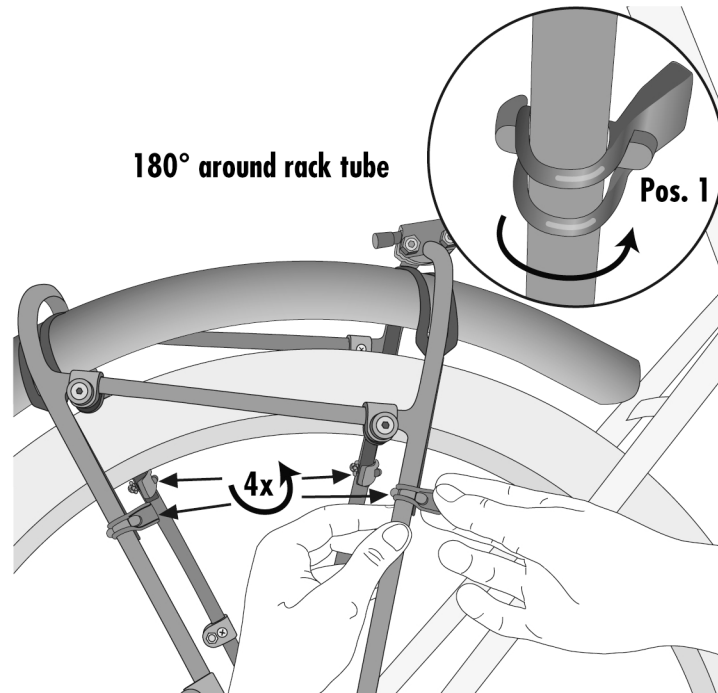
2.2 SLIDE MUDGUARD STAYS ON



2.3 ADJUST STAY POSITION AS NEEDED



3.1 ATTACH SILICON RINGS TO 1ST STUD



3.2 CONFIRM TIRE CLEARANCE (≥15mm)

