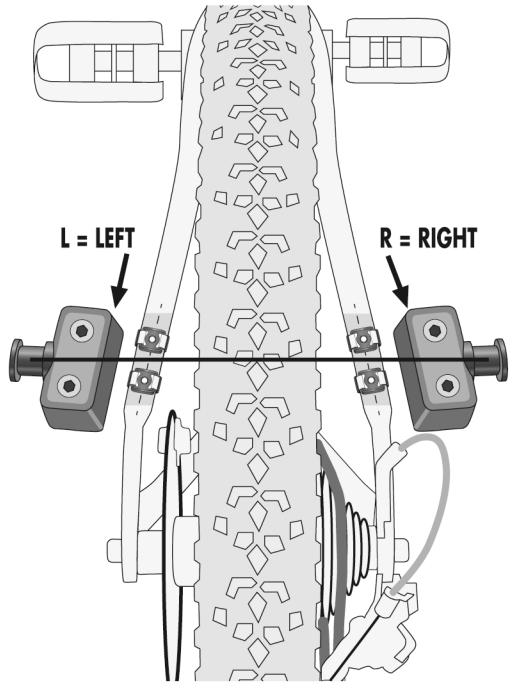
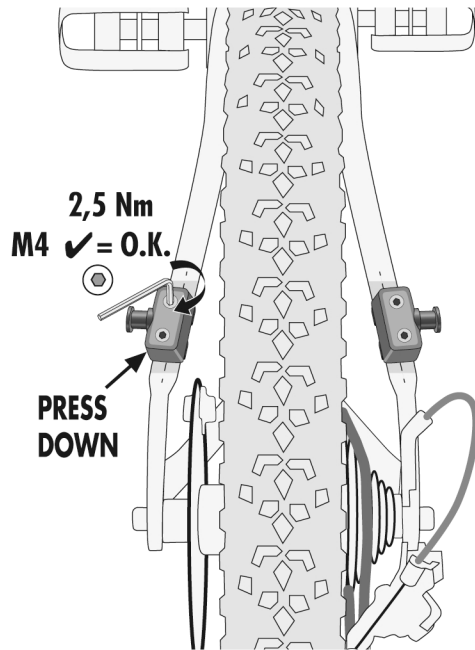


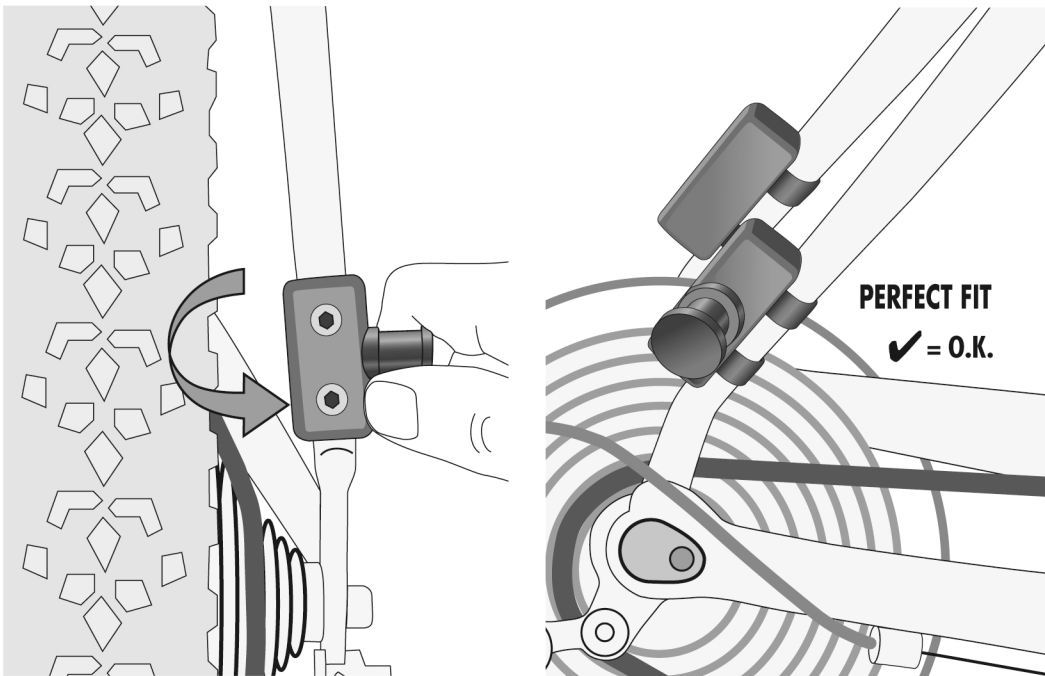
4.1. CONFIRM ADAPTER ORIENTATION



4.2 ADAPTER INSTALLATION WITH CORRECT TORQUE



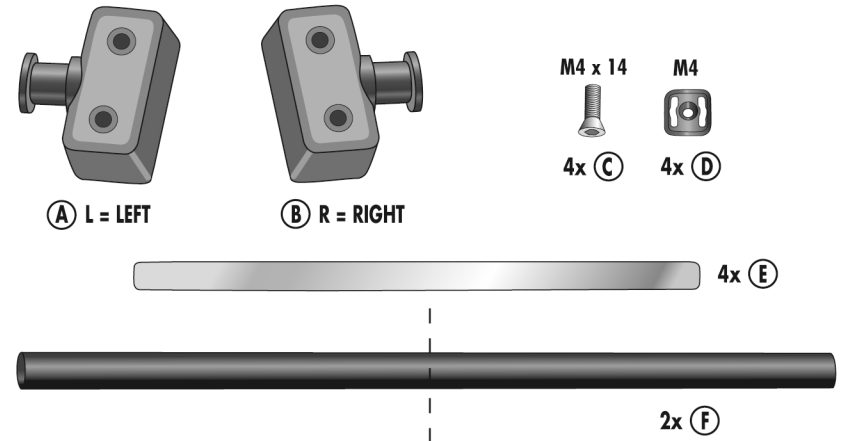
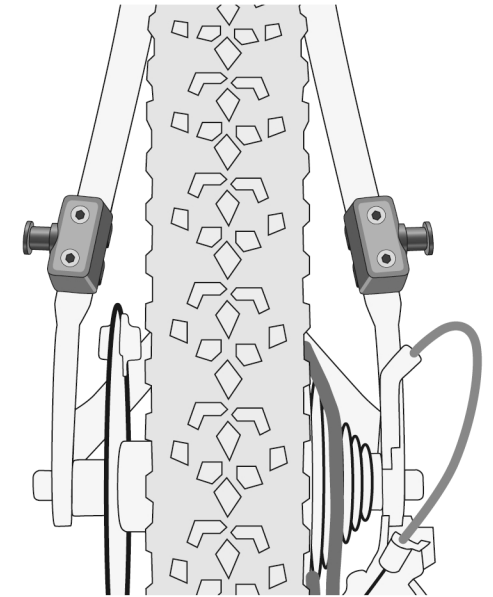
5. CHECK SECURE HOLD AND POSITION BEFORE RIDING (MIN. EVERY 100KM)



QUICK RACK SEAT STAY ADAPTER

ORTLIEB WATERPROOF

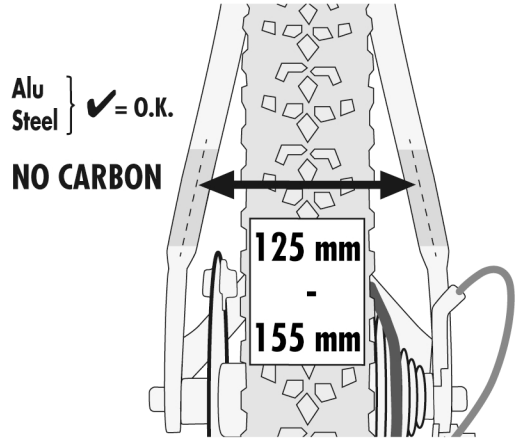
- DE MONTAGEANLEITUNG
- GB ASSEMBLY INSTRUCTIONS
- FR INSTRUCTIONS DE MONTAGE
- IT ISTRUZIONI DI MONTAGGIO
- NL MONTAGE HANDLEIDING
- DK MONTERINGSVEJLEDNING
- ES INSTRUCCIONES DE MONTAJE
- SE MONTERINGSANVISNING
- NO MONTERINGSANVISNING
- FI ASENNUSOHJEET
- PL INSTRUKCJA MONTAZU
- JP 装着方法



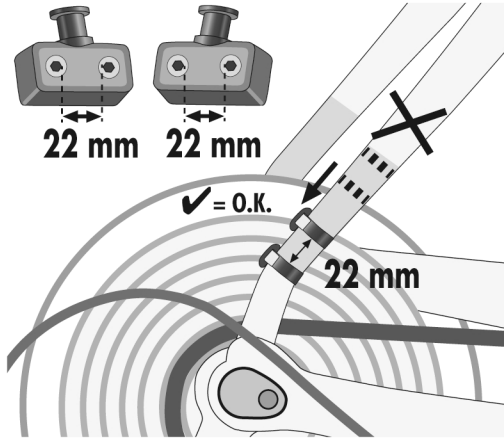
WEITERE INFORMATIONEN:
MORE INFORMATION:
<https://youtu.be/dlt1ScUPC-c>



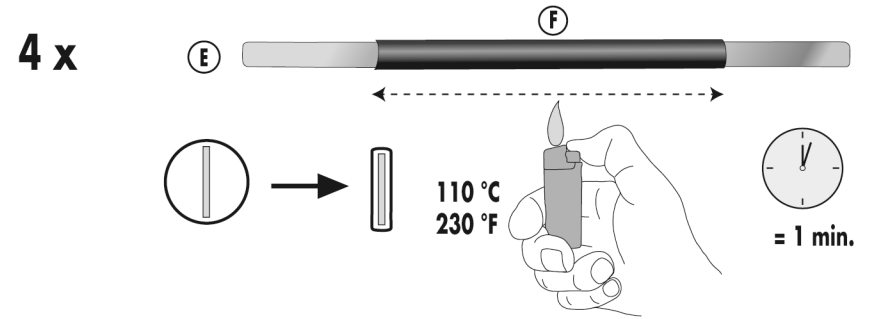
1. CONFIRM YOUR FRAME IS COMPATIBLE



2. IDEAL BAND CLAMP POSITION

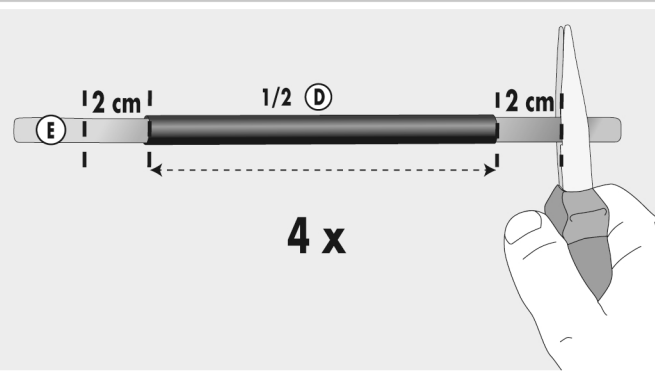


3.4 HEAT TO FIX THE HEAT-SHRINK

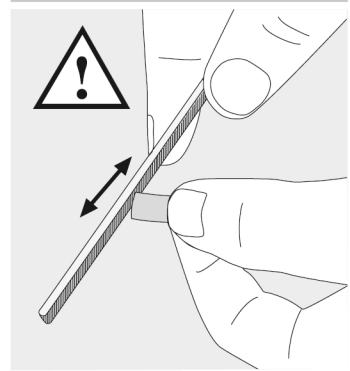


OPTIONAL STEPS FOR PERFECT FIT (3.5 -3.6)

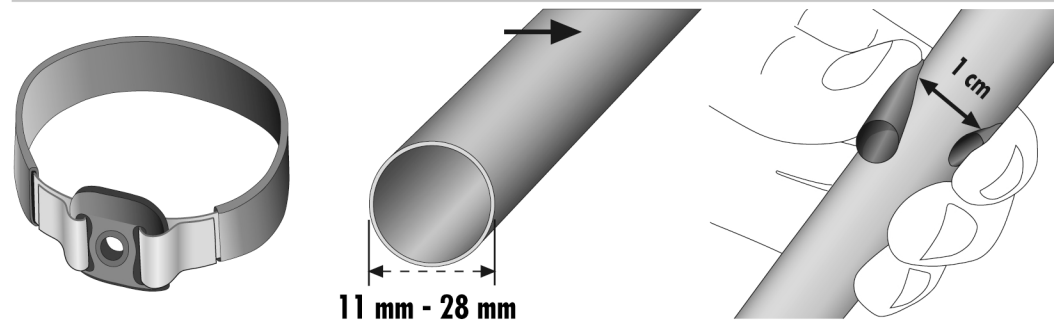
3.5 MEASURE OVERLAP (2CM) AND TRIM TO LENGTH



3.6 ROUND SHARP CORNERS



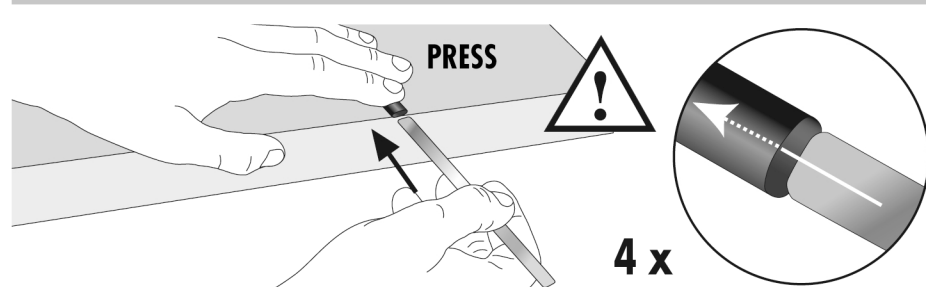
3.1 MEASURE THE DESIRED HEAT-SHRINK LENGTH



3.2 TRIM HEAT-SHRINK TO LENGTH



3.3 INSERT THE STAINLESS BAND AND CENTER



3.7 INSTALL ON TO THE SEAT STAY

