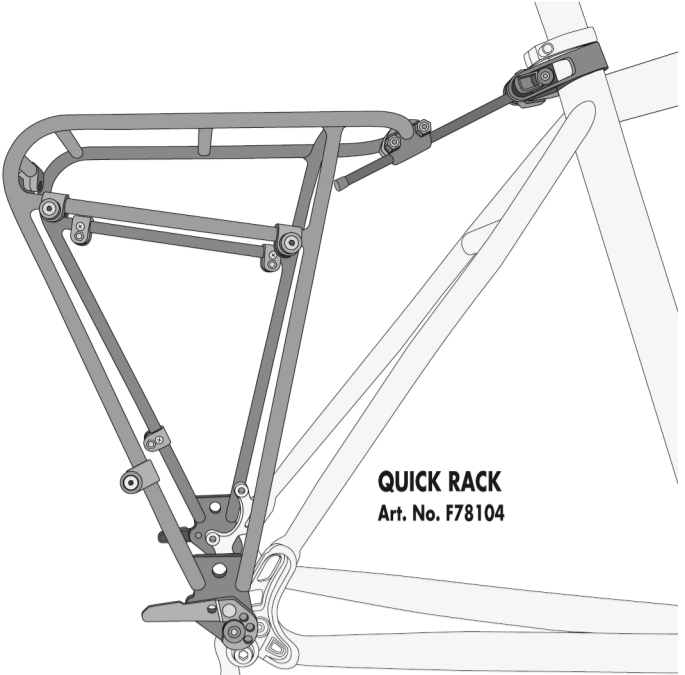
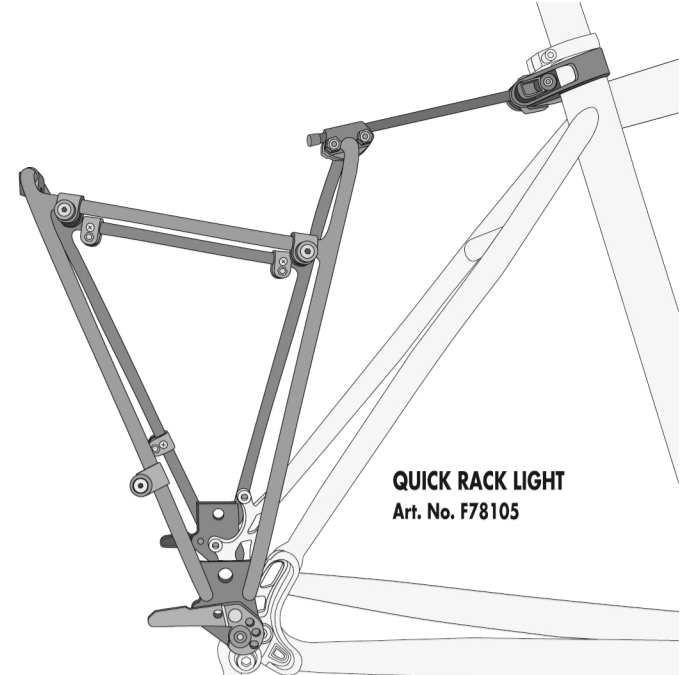


QUICK RACK
QUICK RACK LIGHT

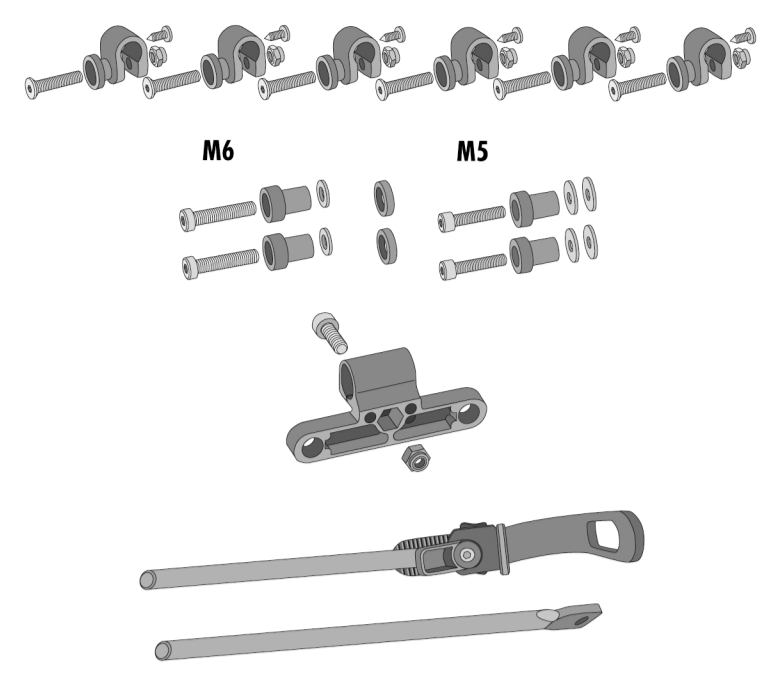
- DE MONTAGEANLEITUNG
- GB ASSEMBLY INSTRUCTIONS
- FR INSTRUCTIONS DE MONTAGE
- IT ISTRUZIONI DI MONTAGGIO
- NL MONTAGE HANDLEIDING
- DK MONTERINGSVEJLEDNING
- ES INSTRUCCIONES DE MONTAJE
- SE MONTERINGSANVISNING
- NO MONTERINGSANVISNING
- FI ASENNUSOHJEET
- PL INSTRUKCJA MONTAŻU
- JP 装着方法



QUICK RACK
Art. No. F78104



QUICK RACK LIGHT
Art. No. F78105

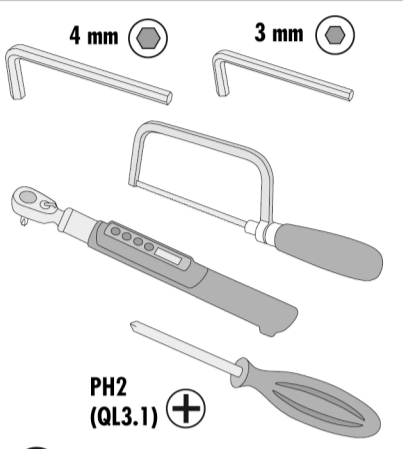


VIDEO

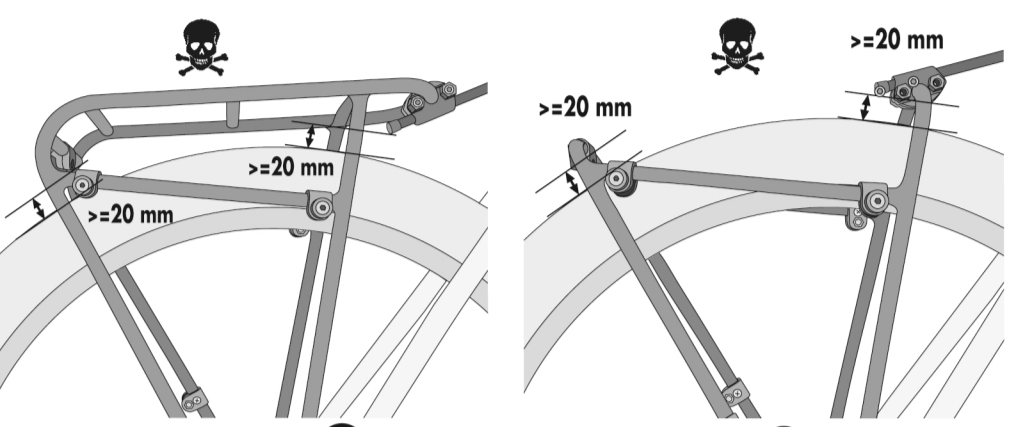


ORTLIEB Sportartikel GmbH
Rainstraße 6
91560 Germany
www.ortlieb.com

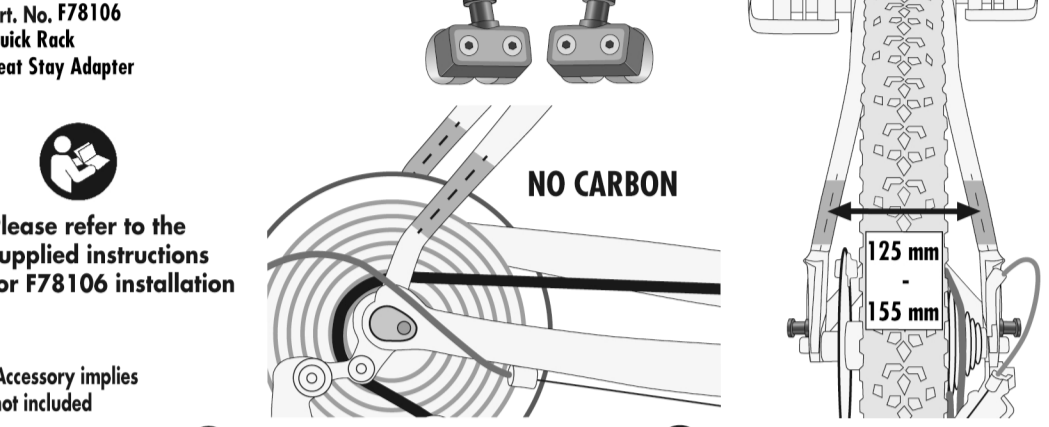
REQUIRED TOOLS



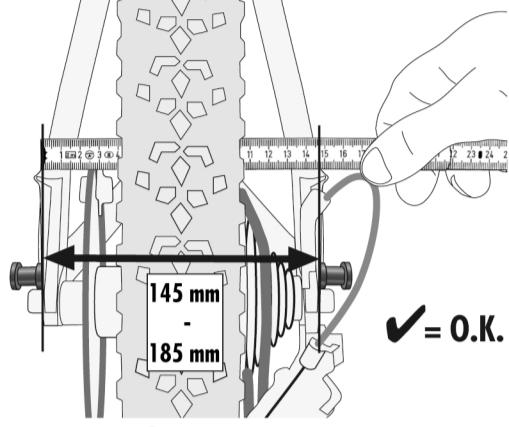
! CHECK TIRE CLEARANCE/MAX. 29 x 2,35"



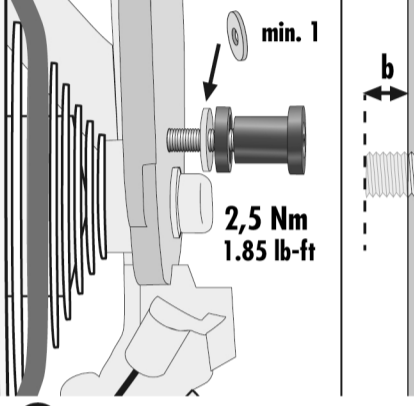
USE ACCESSORY ADAPTOR F78106 IF NO M5 OR M6 ARE AVAILABLE*



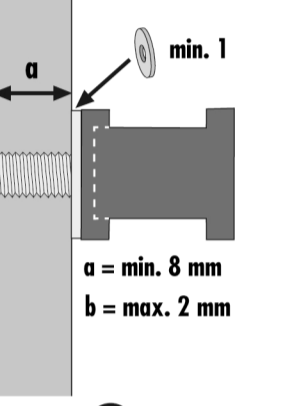
! CHECK FRAME CLEARANCE



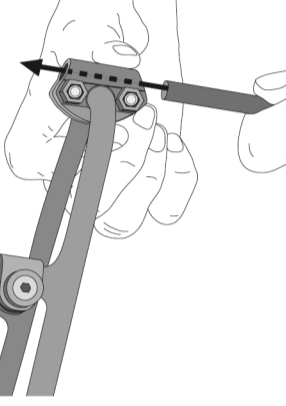
1.1 DIRECT MOUNT M5/M6



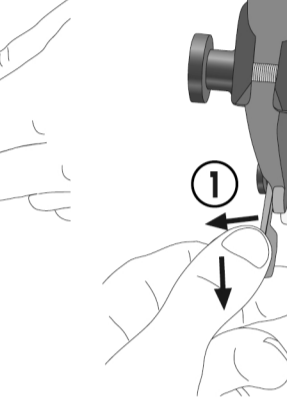
1.2 INSERT ROD



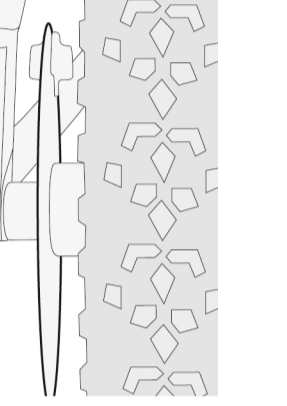
2.1 OPEN LEVER



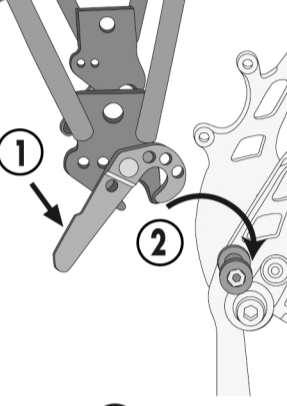
2.2 CONNECT LOWER ATTACHMENT



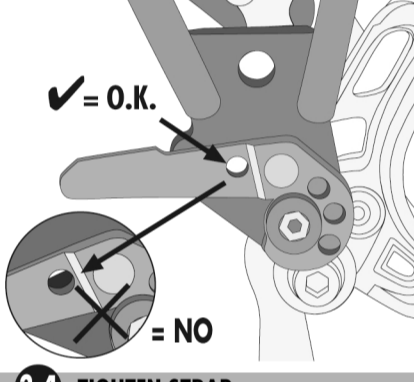
2.3 CHECK LEVER CLEARANCE



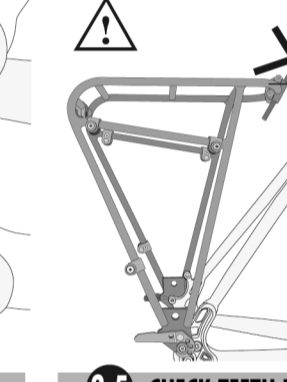
2.4 CLOSE LEVER



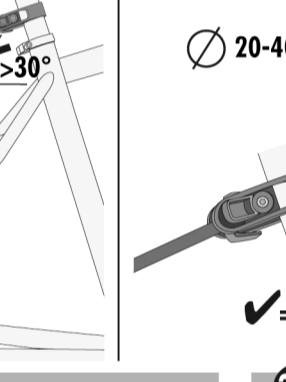
2.5 CHECK CORRECT CLOSURE



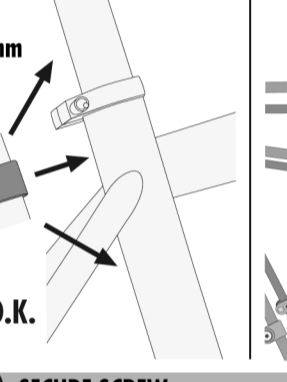
3.1 FIND UPPER ATTACHMENT POSITION



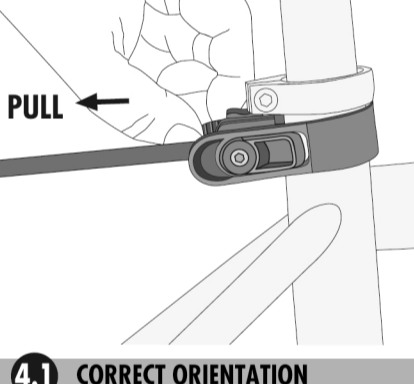
3.2 SLING STRAP AROUND



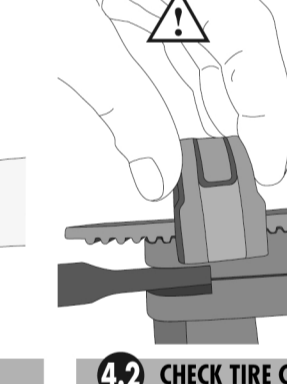
3.3 INSERT STRAP AROUND OPEN LEVER (FACING FORWARD)



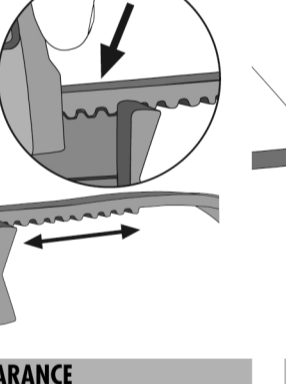
3.4 TIGHTEN STRAP



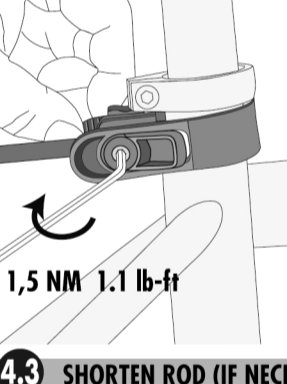
3.5 CHECK TEETH FIT



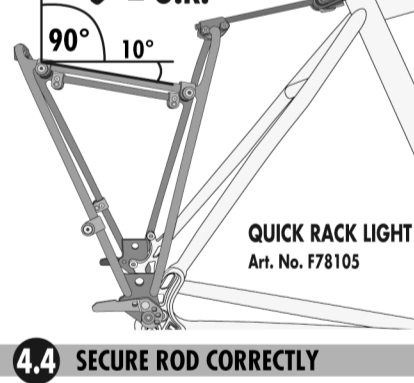
3.6 SECURE SCREW



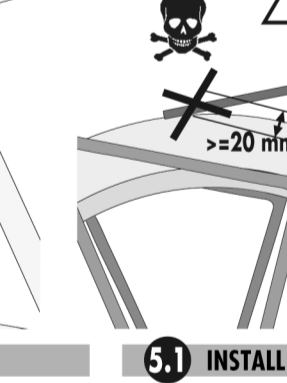
3.7 CLOSE UPPER ATTACHMENT



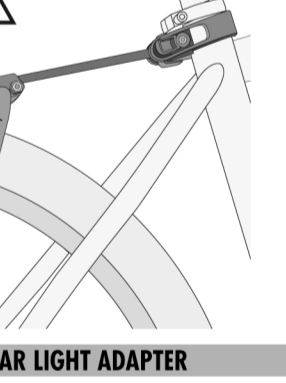
4.1 CORRECT ORIENTATION



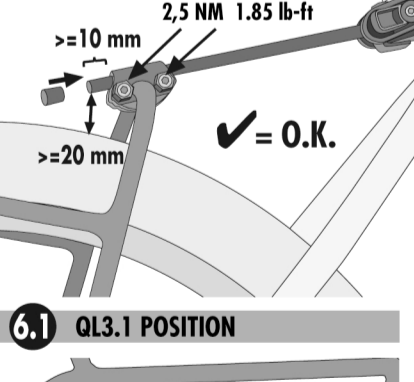
4.2 CHECK TIRE CLEARANCE



4.3 SHORTEN ROD (IF NECESSARY)



4.4 SECURE ROD CORRECTLY



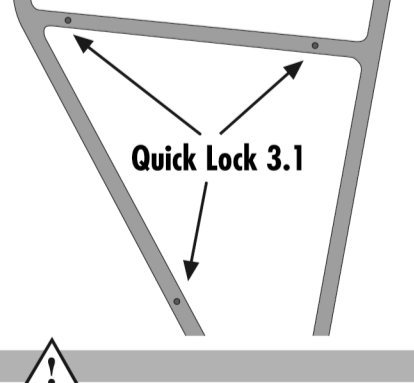
5.1 INSTALL REAR LIGHT ADAPTER



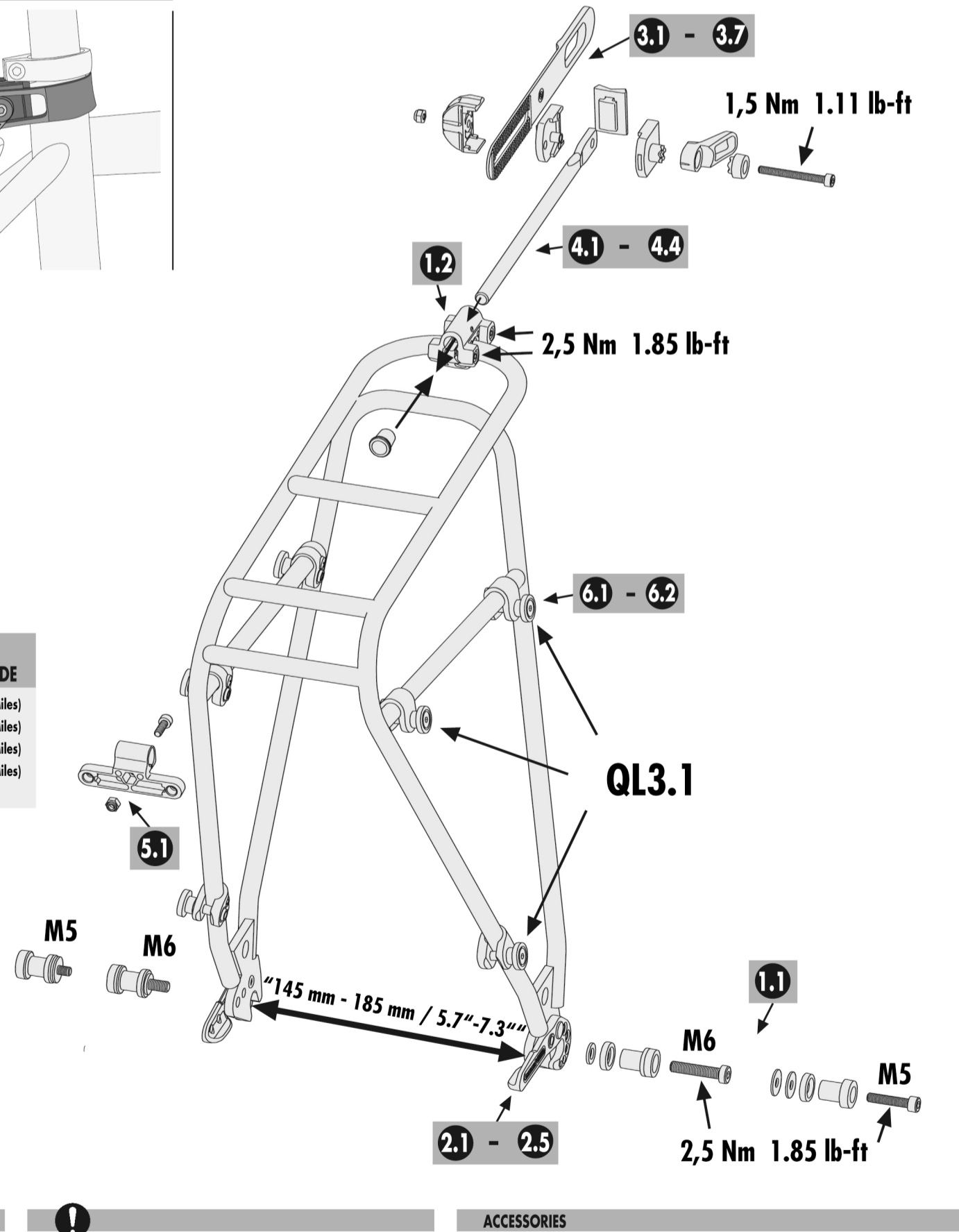
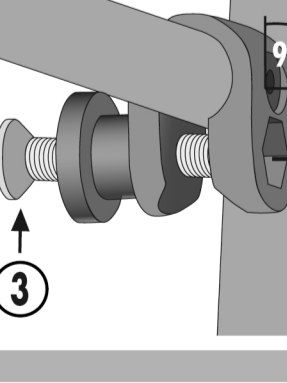
! CHECK FIXATION BEFORE EVERY RIDE

- 1.) 100 km (60 Miles)
- 2.) 500 km (300 Miles)
- 3.) 1000 km (600 Miles)
- 4.) 1500 km (900 Miles)
- etc.

6.1 QL3.1 POSITION



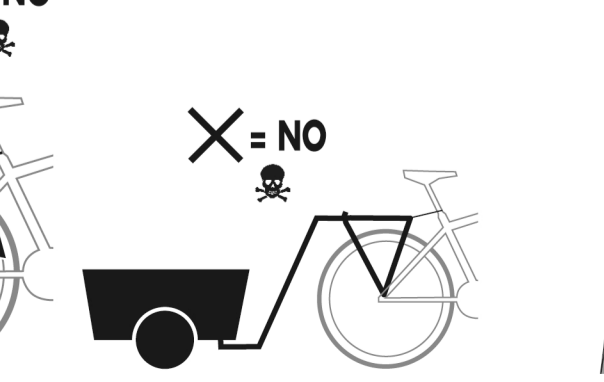
6.2 INSTALL QL3.1 CLAMPS CORRECTLY



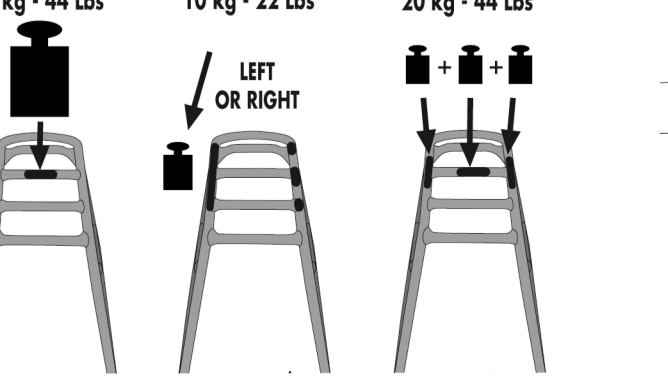
! WARNING



! MAXIMUM LOAD



! TEST !



ACCESSORIES

